

## Premium quality plug type 24 V power supply

### FEATURES:

- compact design
- high power output
- premium class design
- safe and reliable power source
- high efficiency ErP Ecodesign
- and Energy Star Level VI compliance
- no load power consumption 0.1 W

### APPLICATIONS:

- consumer electronics
- IT/office equipment
- general purpose
- computer devices
- home and building automation
- security and monitoring systems
- POS, POI equipment



**E24-2409, E24-2412, E24-2415** and **E24-2424** is a compact and efficient 24-watt wall-mounted style plug type power unit for various types of electronic devices. It is based on high quality electronic components that allow continuous, long-lasting work in all conditions. It is reliable, fully protected and stable. It provides high efficiency and excellent specification.

### TECHNICAL SPECIFICATION

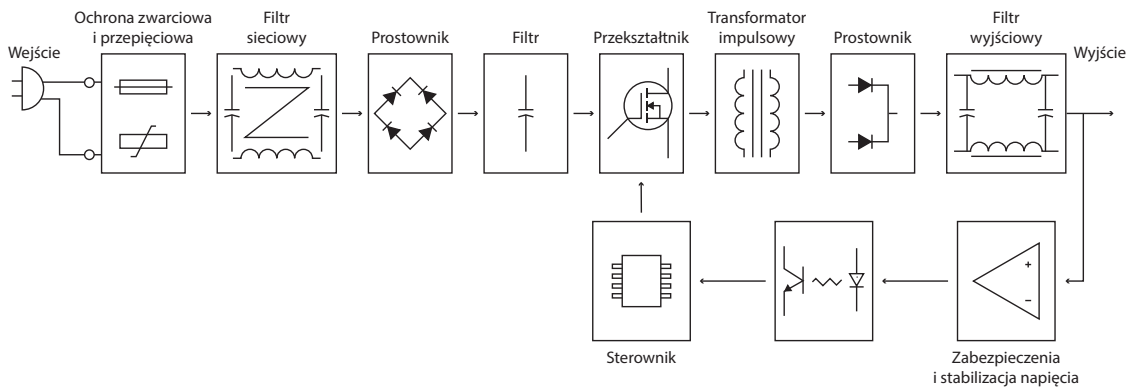
Group	Parameter	E24-2409	E24-2412	E24-2415	E24-2424	Conditions
Input	Rated input voltage	100-240 VAC				
	Input voltage range	90-264 VAC				
	Mains frequency range	47-63 Hz				
	AC current (max.)	0,6 A				At 100 VAC and full load
	Inrush current (max.)	50 A	50 A	60 A	60 A	
	No load power consumption	0,1 W				
	Input leakage current (max.)	0,15 mA				At 264 VAC
	Power factor	0,54				
Output	Rated output voltage	9 V	12 V	15 V	24 V	
	Rated output power	22,5 W	24 W			
	Rated output current	2,5 A	2 A	1,6 A	1 A	
	Average efficiency	86,5%				At 230 VAC
	Efficiency at 10% load	83%	82%	81%	80%	
	Efficiency compliance	DoE Level VI, ErP				
	Line regulation	±2%				
	Load regulation	±4%	±3,5%	±3%	±2,5%	
	Ripple and noise	150 mVp-p	100 mVp-p	150 mVp-p	100 mVp-p	At 100 VAC
	Minimal output current	Nie				
	Hold up time (max.)	Over 3 ms				At 100 VAC
	DC voltage rise time (max.)	Up to 30 ms				At 100 VAC
Turn on delay time (max.)	Up to 3 s				At 100 VAC	
Environmental	Working temperature	-5 to +40°C				
	Working humidity	5% to 95% RH				40°C
	Storage temperature	40°C to +85°C				
	Cooling method	Free air circulation				
Protection	Short circuit	Yes				
	Overcurrent	Yes, 120-140%				
	Output overvoltage	Yes, 17 V	Yes, 19 V	Yes, 27 V	Yes 36 V	
	Automatic recovery on fault remove	Yes				
Safety and EMC	Withstand isolation voltage	3 kVAC (input to output)				5 mA, 1 min
	Isolation resistance	100 MΩ				500 VDC
	Isolation class	2				
	Safety compliance	EN62368-1				
	EMC compliance	EN55032 Klasa B EN61000-4-2, EN61000-4-4, EN61000-4-5				
	Marking	CE, UKCA, RoHS				

### Notes:

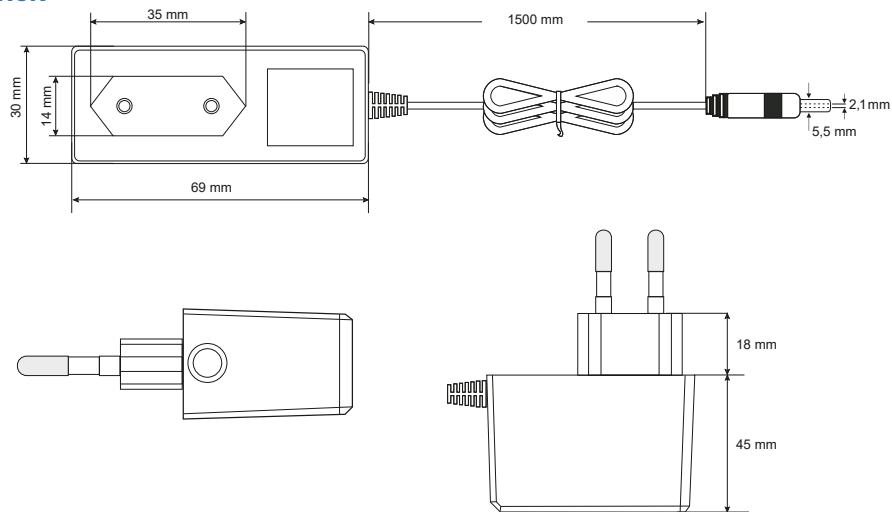
Unless otherwise stated, all parameters are specified at 230 VAC input voltage, 50 Hz, ambient temperature 25°C and relative humidity 70% for rated load output. The values of parameters related to the output voltage regulation is measured from low to high line or for load changes from 0 to 100%, respectively. The power supply is considered as an independent unit, but the final equipment still need to reconfirm that the whole system complies with the EMC directives. If the PSU is installed in the final device as a subassembly, the tests should be repeated to verify that the system has been met compliance. Detailed technical data are available on request.

Mechanical and features	Enclosure	Black ABS plastic				
	Size	70 × 30 × 64 mm				L × W × H
	Weight	100 g				
	Output connector	DC Jack 2,1 × 5,5 × 10 mm				Plus in the middle
	Input connector	EU 2-pole plug				
	Output cable	1,5 m, AWG20	1,5 m, AWG22	1,5 m, AWG22	1,5 m, AWG24	
	Single package	100 × 90 × 35 mm				
	Packing	472 × 310 × 290 mm				
	Manufacturing	China				
Warranty	5 years					

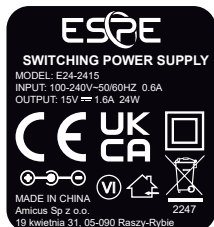
## BLOCK DIAGRAM



## MECHANICAL SPECIFICATION



## PRODUCT LABEL



### Legenda do ikon na etykiecie:

- II safety class: no grounding is required, no dangerous voltage even in an emergency situation will appear on output
- power supply intended for indoor use only
- high efficiency and low no load power consumption, meeting the requirements of Energy Star Compliance Level 6 and ErP
- polarization: plus in the middle, minus outside
- the product must not be disposed of in normal waste containers

**MARKING SYSTEM**

**E 24 - 24 12 - 211**


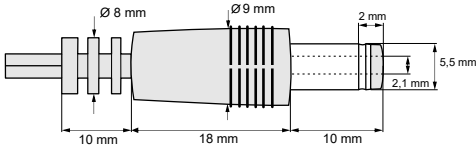

- Manufacturer's series **E24**
- Output power **24W**
- Rated voltage **12V**
- Type of output connection

Standard DC Jack straight output connection 2,1 × 5,5 × 10 mm (Plus in the middle)

**21** – DC plug type – DC Jack 2,1 × 5,5 × 10 mm

**1** – DC plug shape and polarity – Straight plug, plus in the middle 

**STANDARD OUTPUT CONNECTION DC 211**

Index	Type	Internal dimension [mm]	External dimension [mm]	Typ zacisku	Rysunek techniczny	Zdjęcie poglądowe
211	Simple	2,10	5,50	F 		

**VARIANTS OF DC OUTPUT CONNECTION**

**E 24 - 24 12 -**

00	Lack
07	0,7 / 2,35 mm
08	0,8 / 3,0 mm
10	1,1 / 3,0 mm
11	1,1 / 3,5 mm
13	1,3 / 3,45 mm
15	1,5 / 5,5 mm

40	1,7 / 4,0 mm
48	1,7 / 4,8 mm
17	1,7 / 5,5 mm
21	2,1 / 5,5 mm
25	2,5 / 5,5 mm
30	3,0 / 5,5 mm

0	Lack
1	Straight plug
2	Angle plug
3	Straight plug (CN – reverse polarity)
4	Angle plug (CN – reverse polarity)
6	DC socket
7	DC socket (CN – reverse polarity)

**Plug type and size**

**Execution and polarization**